

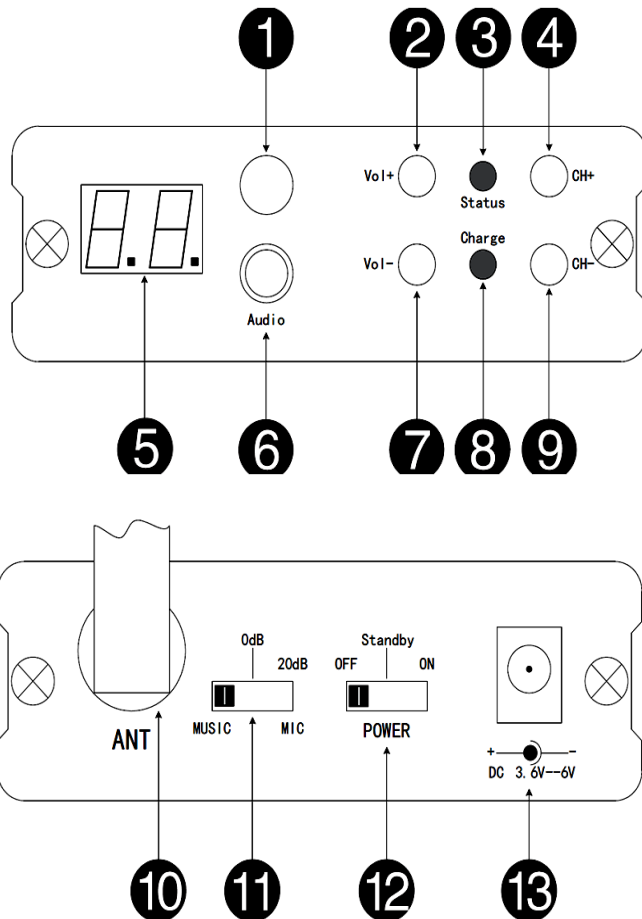
Wireless Mic WMIC1 Quick Start Guide



1. Connect the Receiver to the USB Power adapter by the USB to DC Power cable . Use the DC port (13 , see below) on the Receiver.
2. Plug USB Power Adapter into a 115 VAC power outlet.
3. Turn Receiver power (12) to ON. The green LED will come on and continue to slowly blink.
4. Turn the switch (11) to 20dB / MIC
5. Press the Vol+ and Vol- (2 and 7) to get the display (5) to read 15.
6. Press the CH+ and CH- (4 and 9) to set the channel. A good choice is a channel of 50 or above to reduce the potential of any WiFi interference. The display (5) shows the channel.
7. Connect the 3.5 mm mini audio output port (6) with a 3.5 mm mini stereo cable to the MIC input or audio input on a projector or a sound system. The audio out is at line level.



RECEIVER



- 1 Blank , closed port
- 2 Volume plus
- 3 Green LED—Status
- 4 Channel plus
- 5 Channel/volume display window
- 6 Audio Output jack, 3.5 mm
- 7 Volume minus
- 8 Charging status indicator light
- 9 Channel minus
- 10 Antenna
- 11 Set switch to 20dB / MIC
- 12 Power switch ; set to ON
- 13 Power Input jack

Connections for a typical Dukane projector

Connect the audio cable to MIC port on the projector.

Go to the projector menu and set mic level High;

ADVANCED MENU / AUDIO/ MIC LEVEL / HIGH

Then set the MIC VOLUME to midrange , about 30;

ADVANCED MENU / AUDIO/ MIC VOLUME / Set midrange

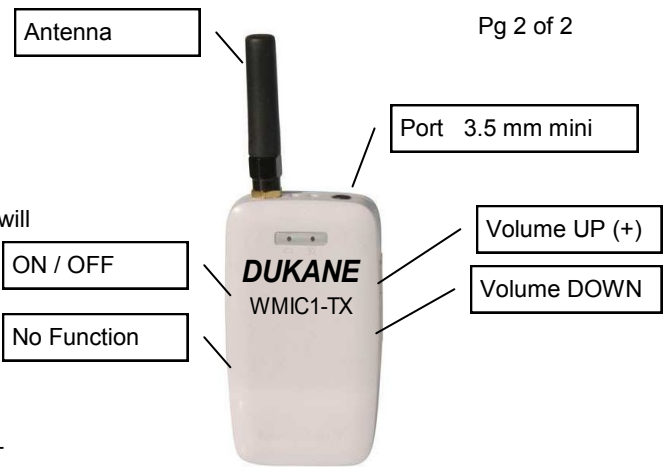
For the projector to have the sound system operating when the lamp is off set the Standby Mode to Normal ;

ADVANCED MENU / STANDBY MODE / NORMAL

Projector speakers ; If using the projector speakers be sure they are turned ON.

Also projector volume needs to be set at a suitable level.

8. Attach antenna to the Transmitter , TX.
9. Open back panel on Transmitter and insert the battery.
10. Plug a mic into the 3.5 mm port on the top of the Transmitter.
11. Turn ON the Transmitter using the top left button. The red led will flash once and the green LED will slowly blink.
12. Move Transmitter to less than 3 feet from the Receiver.
13. When the Receiver green LED goes off and the Transmitter LED stays on (solid green), the units are paired.
14. Try mic operation. The Transmitter volume may need to be increased by using the **Vol+** button on the upper right side.



Miniature Microphone Transmitter - side Buttons

General LED Indicator Guide

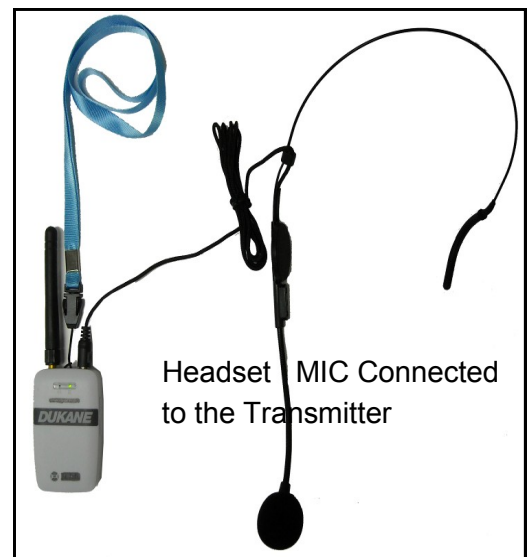


- Transmitter** ; Flashing green — Looking for a Receiver
 Solid green ON — Locked to a Receiver
 Flashing red — Battery charge low

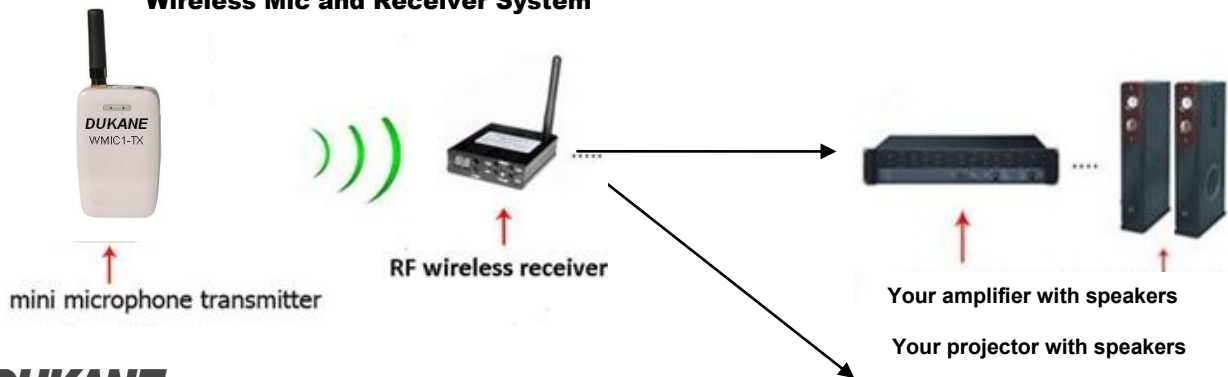


- Receiver** ; Flashing green — Looking for a Transmitter
 No LED on — Paired to Transmitter or off.

Flashing green means a device is searching for a pairing..



Wireless Mic and Receiver System



DUKANE
 Audio Visual Products
 2900 Dukane Drive
 St. Charles, Illinois 60174

www.dukane.com/av
 Toll-free: 888-245-1966
 Fax: 630-584-5156
 E-mail: avsales@dukane.com

